

Smart Plug

Wireless module equipped with a voltage control contact, for mounting on a power socket with Shuko standard. It allows the Smart management of the switching on and off of a load connected to it by measuring the energy consumed.



MAIN FEATURES

- Device for fixing on Shuko plug
- Power supply with mains voltage
- Capable of controlling loads up to 13A
- Consumption measurement of the connected load
- Weekly chrono programming via App
- Repeater function within the ZigBee network
- Compatible with Amazon Alexa and Google Home voice assistants*

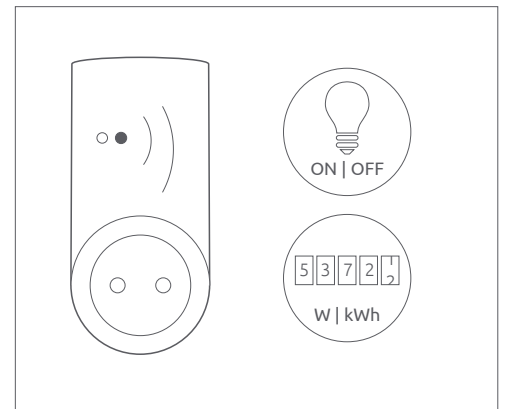
TYPICAL APPLICATIONS

Smart control of:

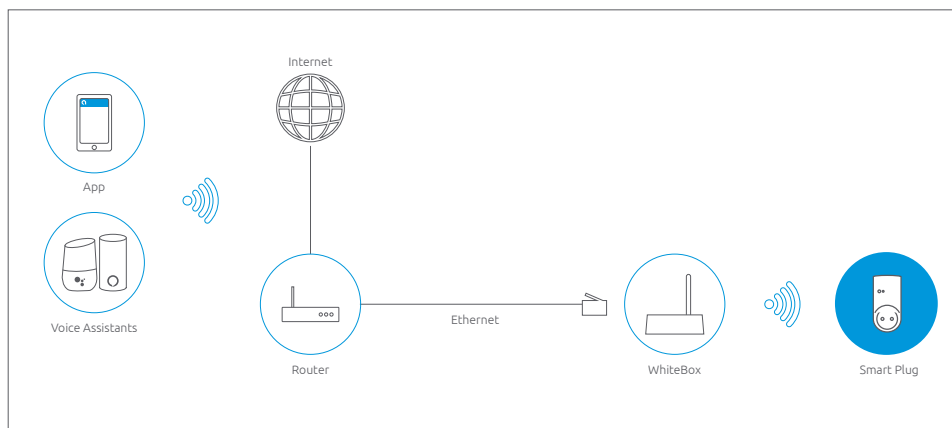
- Air conditioners
- Televisions
- Electric stoves
- Dehumidifiers
- Personal computer

FUNCTIONS MANAGED FROM APP *

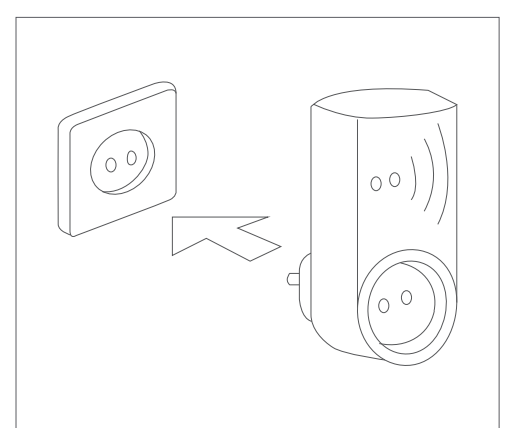
- Visualization of instantaneous power consumed
- Visualization of history consumption
- Energy cost estimation in €
- Possibility to extrapolate the measured data in Excel file
- Chrono programming
- Geo-localized management of ignitions
- Photovoltaic self-consumption



CONNECTION DIAGRAM



MOUNTING

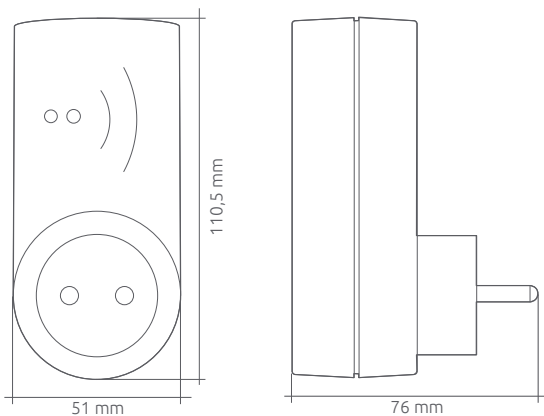


*) Functions available when paired with WhiteBox

TECHNICAL SPECIFICATIONS

Type	Specifications
Supply voltage	90/230Vac 50/60 Hz; 1W
Connections	Plug-Socket type Shuko (EU)
Measurements	Active power [W] Power consumption [kWh]
Power	Max current 13A, loads up to 3.0kW
Ambient parameters	Operating conditions: 0 to +50°C; <80% R.H. n.c. Storage conditions: -20 to +70°C; <80% R.H. n.c.
Dimensions (L x H x P)	51 x 110 x 76 mm
Degree of protection	IP30
Radio specifications	Frequency 2.4 GHz ZigBee HA 1.2
Degree of pollution	PD 2
Insulation	Class I
Overvoltage category	II
Conformity	ETSI EN 300 328; ETSI EN 301 489-1; ETSI EN 301 489-17; EN 60730-1; EN60730-2-14 (type 1); EN 62479; EN 61000-6-2; EN 61000-6-3

DIMENSIONS (MM)



PART NUMBER

Code	Description
ZR-PLUG-EU-RI	Wireless socket (Shuko standard)