

MICO electronic circuit protection, 2 CHANNELS

IN: 24 V DC OUT: 24 V /4-6-8-10 A

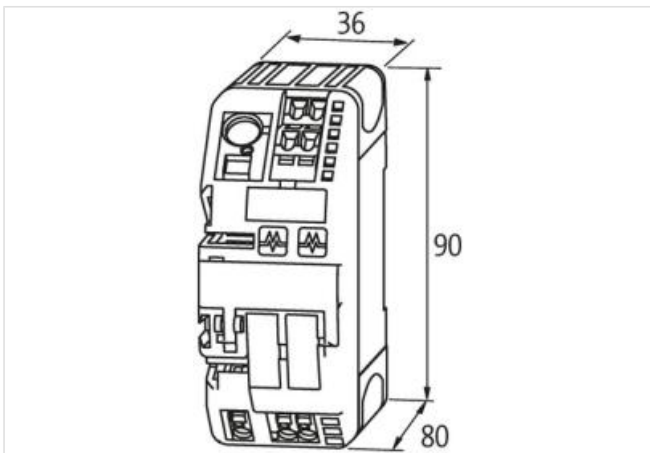
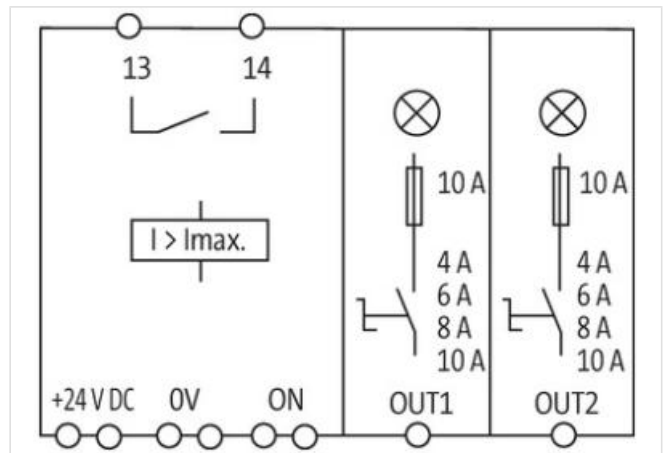
MICO 2.10

2 channels

Current adjustment 4, 6, 8, 10 A

[Link to Product](#)

Illustration



Product may differ from Image



Input

Operating voltage 24 V DC (18...30 V DC)

Output

Inrush capacity max. 20 mF (per channel)

Current adjustment 4 A, 6 A, 8 A, 10 A, by countersunk rotary switch, sealed

Control inputs

Input voltage (ON) 10...30 V DC

Impulse length (ON) min. 20 ms

Control outputs

Group alarm output potential free 30 V AC/DC, 100 mA

General data

Mounting method	DIN-rail mountable TH35 (EN 60715)
Temperature range	0...+55 °C (storage temperature -40...+80 °C)
Connection	Spring clamp terminals
Dimensions H×W×D	90×36×80 mm
Bridging concept	one side, with spring clamp terminals or bridge set (max. 40 A)
Output terminals	per output 1 × 4 mm ²
Input terminals	1 × 16 mm ²
Alarm terminals	2.5 mm ²