

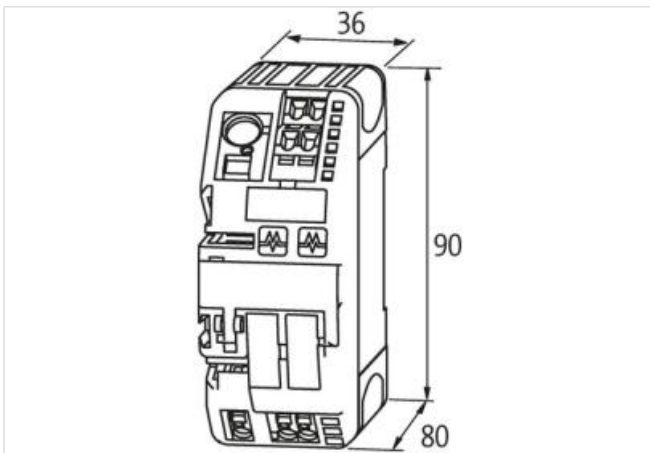
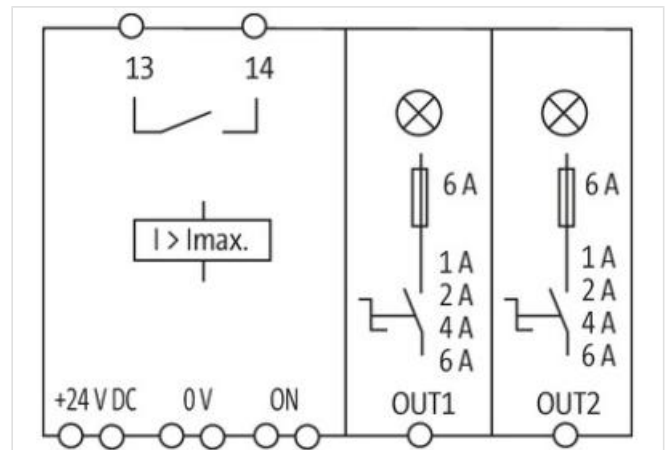
MICO electronic circuit protection, 2 CHANNELS

IN: 24 V DC OUT: 24 V DC / 1-2-4-6 A

MICO 2.6

2 channels

Current adjustment 1, 2, 4, 6 A

[Link to Product](#)**Illustration**

Product may differ from Image

**Input**

Operating voltage 24 V DC (18...30 V DC)

Output

Inrush capacity max. 20 mF (per channel)

Current adjustment 1 A, 2 A, 4 A, 6 A, by countersunked rotary switch, sealed

Control inputs

Input voltage (ON) 10...30 V DC

Impulse length (ON) min. 20 ms

Control outputs

Group alarm output potential free 30 V AC/DC, 100 mA

General data

Mounting method	DIN-rail mountable TH35 (EN 60715)
Temperature range	0...+55 °C (storage temperature -40...+80 °C)
Connection	Spring clamp terminals
Dimensions H×W×D	90×36×80 mm
Bridging concept	one side, with spring clamp terminals or bridge set (max. 40 A)
Output terminals	per output 1 × 4 mm ²
Input terminals	1 × 16 mm ²
Alarm terminals	2.5 mm ²