

**Modlink MSDD front panel interface frame modul double metal matte nickel plated/transparent**

Frame: metal, matte nickel plated

Lid: plastic, transparent

**Image**

Vicarious picture

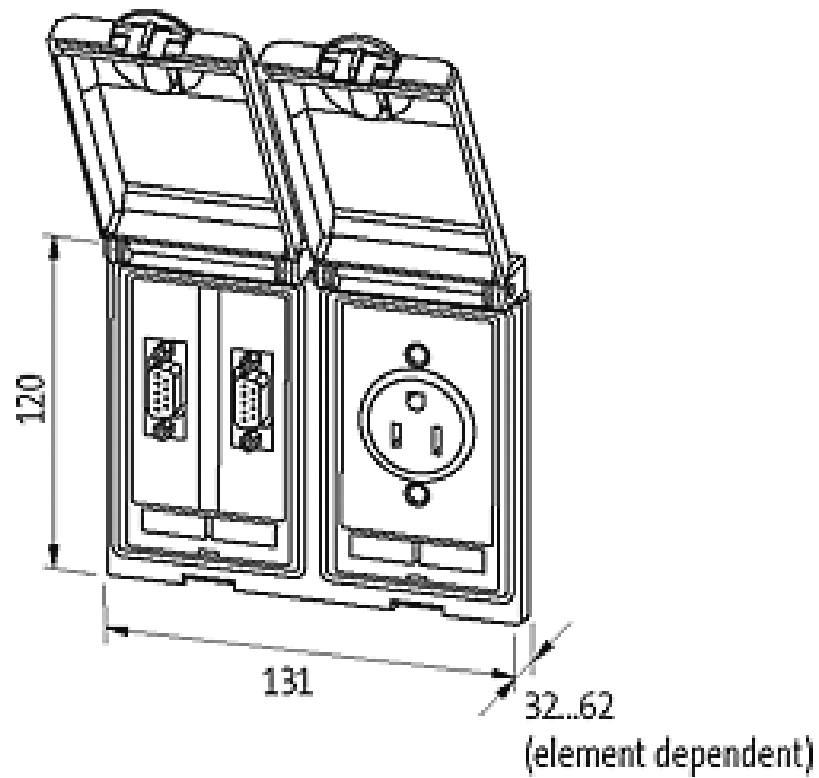
**General data**

Shielded	yes, only with shielded inserts
Protection	IP65
Temperature range	-10...+60 °C (storage temperature -25...+60 °C)
Housing	zinc die-casting, with surface finishing
suitable for mounting with wall thickness	1...5 mm
Outer dimensions H × W × D	120 × 131 × 32...62 mm (element dependent)

**Commercial data**

Net weight	355
Weight unit	gram
Basic unit	pc.
Customs tariff number	85389099
Unit (piece)	1
Limited value	1

## Dimension drawing



## Control cabinet cut-out

