

**M12 male 0° A-cod. screw terminal**4-pol., max. 0,75mm<sup>2</sup>, 6 - 8mm

Male straight

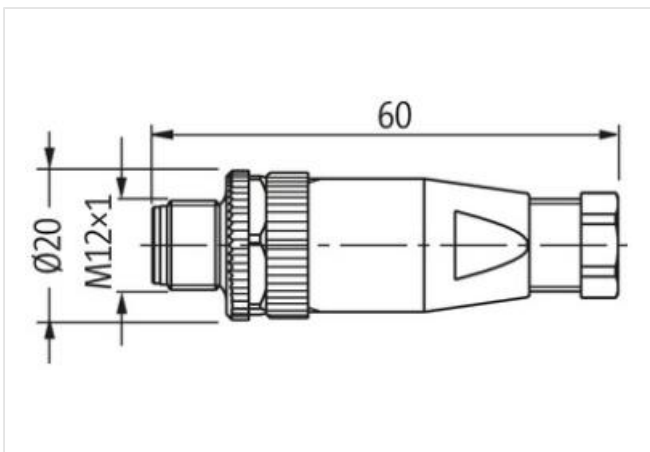
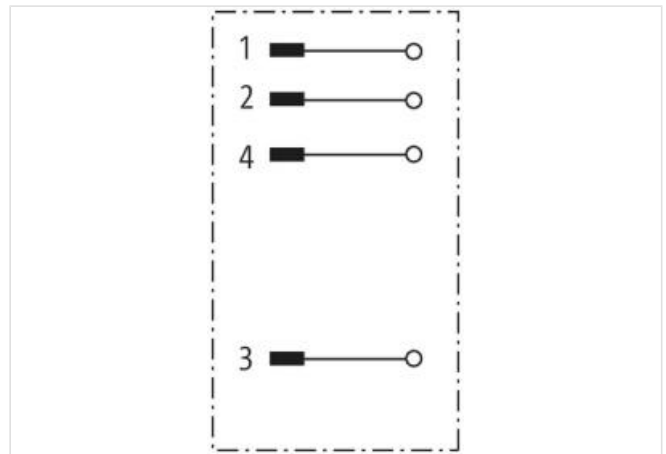
M12, 4-pole

Screw terminals

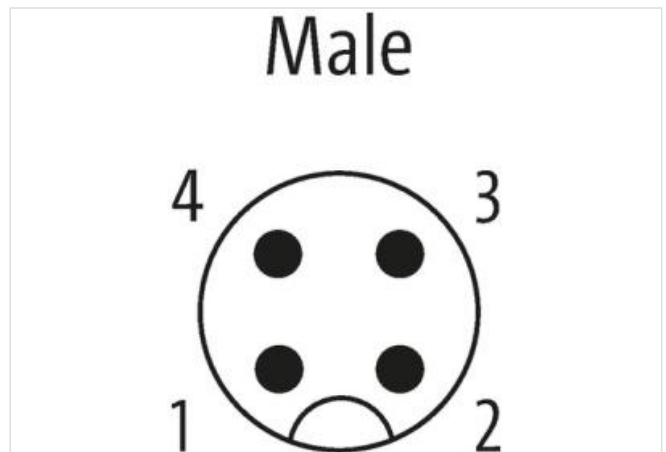
Sealing range (cable Ø): 6...8 mm

Plastic housings with good resistance against chemicals and oils.

The resistance to aggressive media should be individually tested for your application. Further details on request.

**[Link to Product](#)****Illustration**

Product may differ from Image

**Technical Data**

Operating voltage	max. 250 V AC/DC
Operating current per contact	max. 4 A
Locking of ports	Screw thread (M12×1 mm) recommended torque 0.6 Nm, self-securing
Connection cross section	max. 0.75 mm <sup>2</sup>

Sealing range (cable Ø)	6...8 mm
Protection	IP67 inserted and tightened (EN 60529)

**General data**

Temperature range	-40...+85 °C
Dimensions H×W×D	60×20×20 mm