

**M12 female 90° A-cod. IDC**3-pol., 0.25 - 0.5mm<sup>2</sup>, 4 - 5,1mm

Female 90°

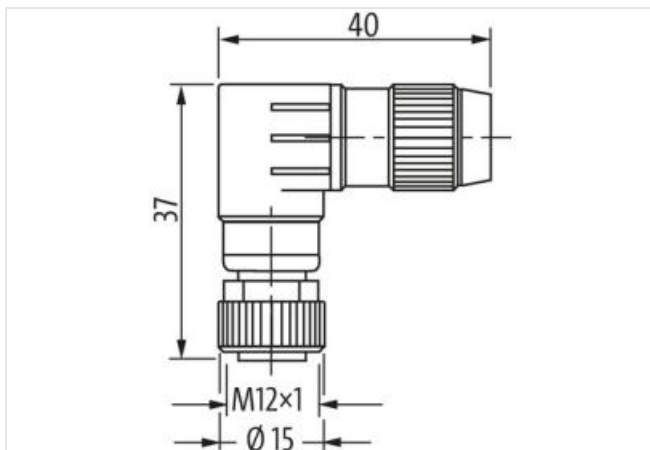
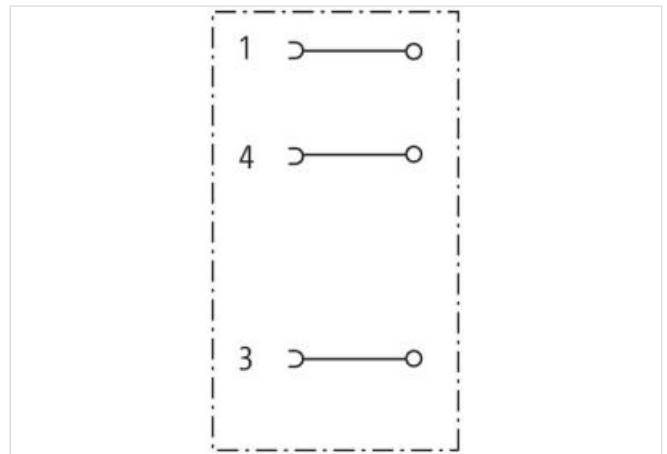
M12, 3-pole

IDC terminals

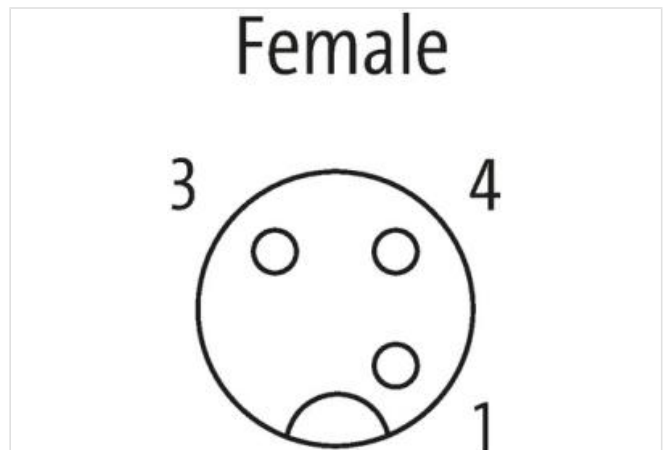
Connection cross section: 0.25...0.5 mm<sup>2</sup>

Art-No. 7005 - M12 Lite - (plastic hexagonal screw) on request

The resistance to aggressive media should be individually tested for your application. Further details on request.

**[Link to Product](#)****Illustration**

Product may differ from Image

**Technical Data**

|                               |  |
|-------------------------------|--|
| Operating voltage             | max. 32 V AC/DC  |
| Operating current per contact | max. 4 A   |
| Locking of ports              | Screw thread (M12×1 mm) recommended torque 0.6 Nm, self-securing |
| Connection cross section      | 0.25...0.5 mm <sup>2</sup> (conductor diameter min. 0.1 mm)      |
| Sealing range (cable Ø)       | 4...5.1 mm   |
| Protection                    | IP67 inserted and tightened (EN 60529)                           |
| Outer wire Ø                  | 1.2...1.6 mm   |

**General data**

The information in this Product-PDF has been compiled with the utmost care.

Liability for the correctness completeness and topicality of the information is restricted to gross negligence. Version: 2023-06-13

Murrelektronik GmbH | Falkenstraße 3 | 71570 Oppenweiler | Fon +49 (71 91) 47-0 | Fax +49 (71 91) 47-491000 | shop@murrelektronik.com | shop.murrelektronik.com

---

|                   |              |
|-------------------|--------------|
| Temperature range | -25...+85 °C |
| Dimensions H×W×D  | 37×40×15 mm  |

---