

M12 female 0° A-cod. IDC4-pol., 0.25 - 0.5mm², 4 - 5,1mm

Female straight

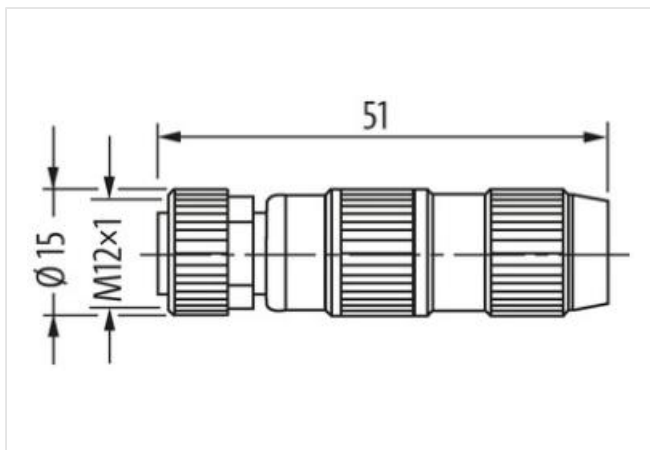
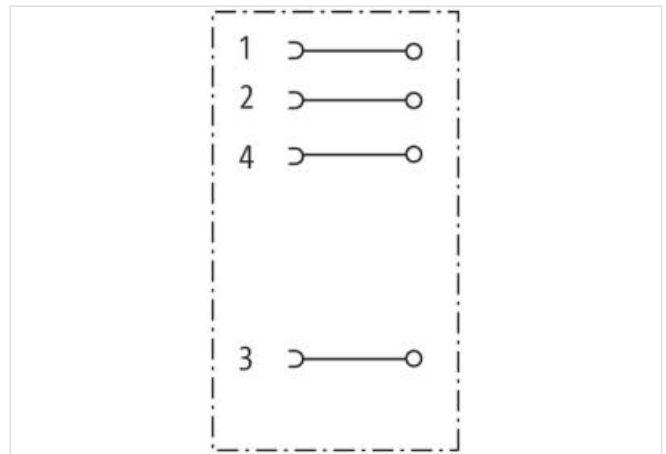
M12, 4-pole

IDC terminals

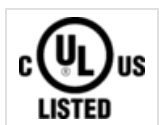
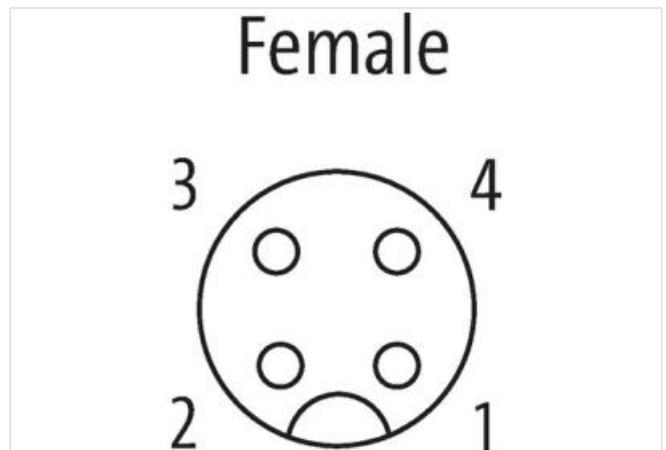
Connection cross section: 0.25...0.5 mm²

Art-No. 7005 - M12 Lite - (plastic hexagonal screw) on request

The resistance to aggressive media should be individually tested for your application. Further details on request.

[Link to Product](#)**Illustration**

Product may differ from Image

**Technical Data**

Operating voltage	max. 32 V AC/DC
Operating current per contact	max. 4 A
Locking of ports	Screw thread (M12×1 mm) recommended torque 0.6 Nm, self-securing
Connection cross section	0.25...0.5 mm ² (conductor diameter min. 0.1 mm)

Sealing range (cable Ø)	4...5.1 mm
Protection	IP67 inserted and tightened (EN 60529)
Outer wire Ø	1.2...1.6 mm
General data	
Temperature range	-25...+85 °C
Dimensions H×W×D	51×15×15 mm