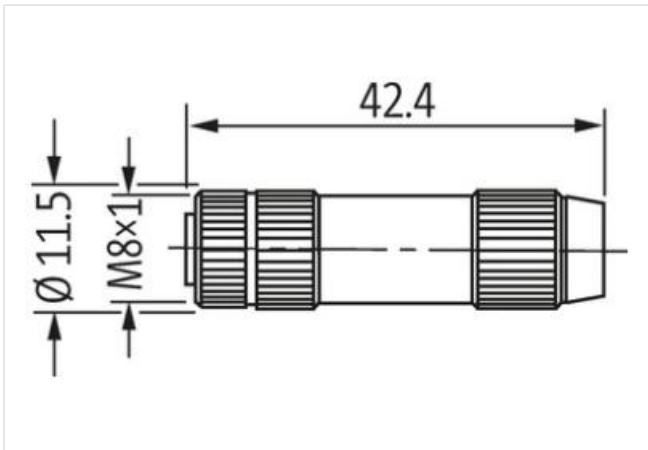
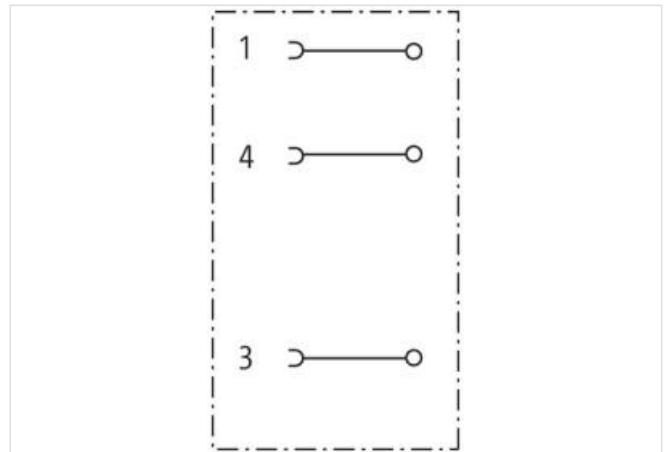


**M8 female 0° A-cod. IDC**3-pol., 0,14 - 0,34mm<sup>2</sup>, 2,5 - 5,1mm

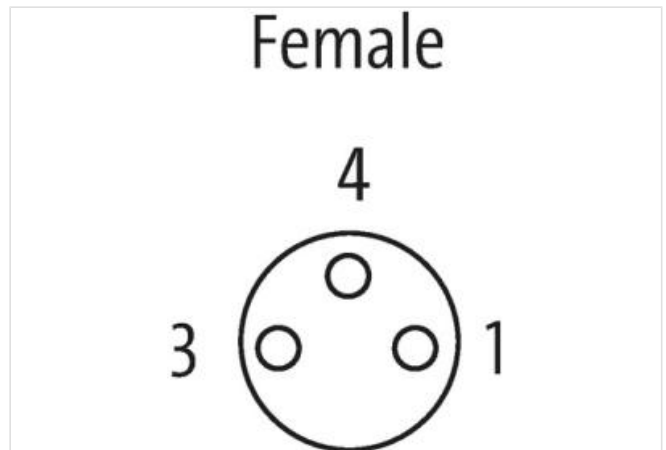
IDC terminals

Female straight

M8, 3-pole

Connection cross section: 0.14...0.34 mm<sup>2</sup>[Link to Product](#)**Illustration**

Product may differ from Image

**Technical Data**

Operating voltage	max. 32 V AC/DC
Rated surge voltage	0.8 kV
Operating current per contact	max. 4 A
No. of poles	3
Material group	IEC 60664-1, category I
Mating cycles	≥ 100

The information in this Product-PDF has been compiled with the utmost care.

Liability for the correctness completeness and topicality of the information is restricted to gross negligence. Version: 2023-06-13

Murrelektronik GmbH | Falkenstr. 3 | 71570 Oppenweiler | Fon +49 (71 91) 47-0 | Fax +49 (71 91) 47-491000 | shop@murrelektronik.com | shop.murrelektronik.com

Locking of ports	Screw thread (M8×1 mm) recommended torque 0.4 Nm, self-securing
Connection cross section	0.14...0.34 mm <sup>2</sup> (conductor diameter min. 0.1 mm)
Sealing range (cable Ø)	2.5...5.1 mm (gasket included)
Protection	IP67 inserted and tightened (EN 60529)
Material	PA
Locking material	Zinc die casting, matte nickel plated
Compression gland	M8 (SW9)
Outer wire Ø	1.0...1.6 mm
Isolation resistance	≥ 10 <sup>8</sup> Ω
Contact resistance	≤ 10 mΩ
Over voltage category	3
Configuration	fully used

**General data**

Standards	DIN EN 61076-2-104 (M8)
Mounting method	inserted, tightened
Material contact	Copper alloy
Pollution Degree	3
Temperature range	-25...+85 °C
Connection	Insulation displacement technology IDC
Dimensions H×W×D	42.5×11.8×11.8 mm