



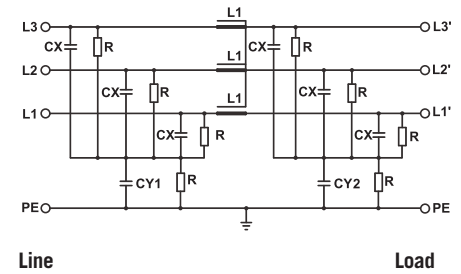
ELECTRIC CHARACTERISTICS

Nominal Voltage	0/600 V _{Ac} - 50/60 Hz
Phase to phase test voltage	2400 V _{Dc} (2 s)
Phase to ground test voltage	3200 V _{Dc} (2 s)
Climatic class	- 40 / +85 °C



FIN538S1	Rated Current 40°C (50°C)	ΣCx (μF) $\pm 5\%$	Cy1 (nF) $\pm 5\%$	Cy2 (nF) $\pm 5\%$	L1 (mH) $\pm 10\%$	Pow Loss (W)
.007.M	8 (7)	20	1000	1000	1.5	3
.016.M	18 (16)	20	1000	1000	1.5	4
.030.M	34 (30)	20	1000	1000	1.4	10
.042.M	47 (42)	20	1000	1000	1.3	18
.055.M	60 (55)	20	1000	1000	1.2	23
.075.M	83 (75)	60	1000	1000	1.1	37
.100.M	110 (100)	60	1000	1000	1.1	52
.130.M	142 (130)	60	1000	1000	1	65
.180.M	200 (180)	60	1000	1000	1	77
.250.V	272 (250)	60	1000	1000	0.7	80
.280.V	290 (280)	60	1000	1000	0.7	80
.280.BC	297 (280)	60	1000	1000	0.7	80
.320.BC	330 (320)	60	1000	1000	0.7	80
.360.BC	390 (360)	60	1000	1000	0.6	105
.400.BC	435 (400)	60	1000	1000	0.6	110
.500.BC	545 (500)	60	1000	1000	0.55	102
.600.BC	654 (600)	60	1000	1000	0.55	108
.750.BC	800 (750)	60	1000	1000	0.5	96
.900.BC	940 (900)	60	1000	1000	0.5	80
.1000.BC	1050 (1000)	60	1000	1000	0.45	115
.1250.BC	1290 (1250)	60	1000	1000	0.45	101
.1500.BC	1550 (1500)	60	1000	1000	0.4	120
.1600.BC	1650 (1600)	60	1000	1000	0.4	130
.1750.BC	1800 (1750)	60	1000	1000	0.4	135
.2000.BC	2040 (2000)	60	1000	1000	0.38	138
.2250.BC	2290 (2250)	60	1000	1000	0.38	145
.2500.BC	2535 (2500)	60	1000	1000	0.38	170
.3000.BC	3050 (3000)	60	1000	1000	0.38	180

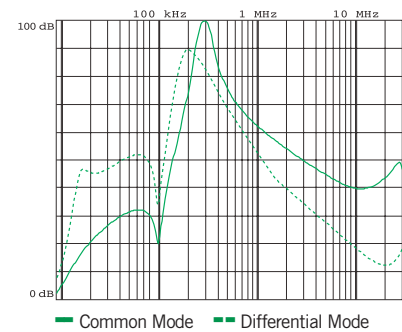
ELECTRIC DIAGRAM



Line

Load

TYPICAL ATTENUATION



— Common Mode - - - Differential Mode

Total leakage current at 230 V phase to ground 50 Hz / 40°C

Nominal <10mA
Worst condition <80mA

Vertical bus-bar available upon request

MECHANICAL DIMENSIONS (mm)

FIN538S1	A	B	V	V1	F	H	I	L	N	d	Weight Kg	Case
.007.M/.016.M	100	90	22	16	5.4	250	220	7.5	60	M6	1.3	1
.030.M	100	90	22	16	5.4	250	220	7.5	60	M6	1.3	1
.042.M/.055.M	100	90	22	35	5.4	250	220	7.5	60	M6	1.5	2
.075.M	135	85	22	39	6.5	270	240	7.5	60	M6	2.2	3
.100.M	155	90	24	43	6.5	270	240	7.5	65	M10	3.2	4
.130.M	155	90	24	43	6.5	270	240	7.5	65	M10	3.2	4
.180.M	170	125	26	51	6.5	380	350	7.5	102	M10	5.1	5

CONNECTION

Rigid Cable (mm ²)	Flexible Cable (mm ²)	Torque (Nm)
0.2 - 10	0.2 - 6	1.2
0.2 - 10	0.2 - 6	1.2
0.5 - 16	0.5 - 10	1.8
6 - 35	4 - 25	4.5
10 - 50	10 - 50	4
10 - 50	10 - 50	4
35 - 95	35 - 95	20

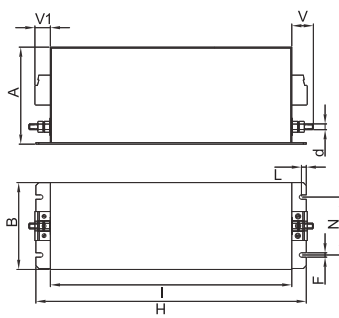
MECHANICAL DIMENSIONS (mm)

FIN538S1	A	B	C	d2	d3	V	F	H	I	L	N	P	S	Weight Kg	Case
.250.V/.280.V	90	220	120	-	-	30	6.5	356	320	340	95	70	60	9	6
.280.BC/.320.BC	90	220	120	6	20	42	6.5	356	320	340	95	70	55	9	7
.360.BC/.400.BC	130	230	150	10	25	42	6.5	420	380	400	100	100	85	13.5	8
.500.BC	130	230	150	10	25	42	6.5	420	380	400	100	100	85	13.5	8
.600.BC/.750.BC	130	230	150	15	30	48	6.5	510	450	480	100	100	85	19	9
.900.BC	160	250	140	20	40	94	8.5	510	450	480	100	110	110	27	10
.1000.BC	160	250	140	20	40	94	8.5	510	450	480	100	110	110	27	10
.1250.BC	160	250	140	20	40	94	8.5	510	450	480	100	110	110	27	10
.1500.BC	180	300	200	20	60	97	8.5	560	500	530	125	130	117	30	11
.1600.BC	180	300	200	20	60	97	8.5	560	500	530	125	130	117	30	11
.1750.BC	180	300	200	20	60	97	8.5	560	500	530	125	130	117	30	11
.2000.BC	225	350	200	25	80	100	8.5	610	550	580	150	-	112.5	68	12
.2250.BC	225	350	200	25	80	100	8.5	610	550	580	150	-	112.5	68	12
.2500.BC	225	350	200	25	80	100	8.5	610	550	580	150	-	112.5	68	12
.3000.BC	225	350	200	25	80	100	8.5	610	550	580	150	-	112.5	68	12

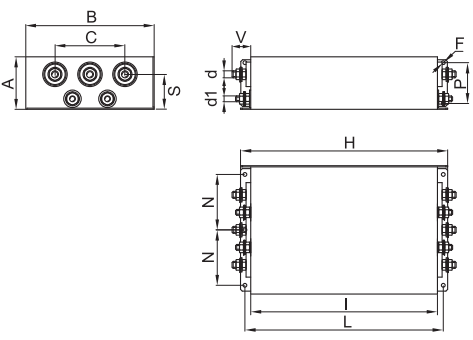
CONNECTION

d (mm)	Line Torque (Nm)	d1(mm)	Ground Torque (Nm)
M12	20	M10	18
M8	14	M10	18
M8	14	M10	18
M8	14	M10	18
M10	25	M10	18
M12	50	M12	20
M12	50	M12	20
M12	50	M12	20
M12	50	M12	20
M12	50	M12	20
M12	50	M12	20
M12	50	M12	20
M12	50	M12	20
M12	50	M12	20

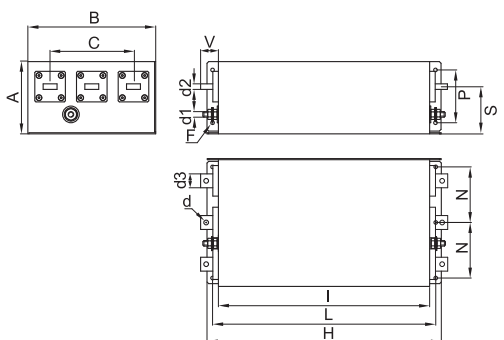
CASE 1/2/3/4/5



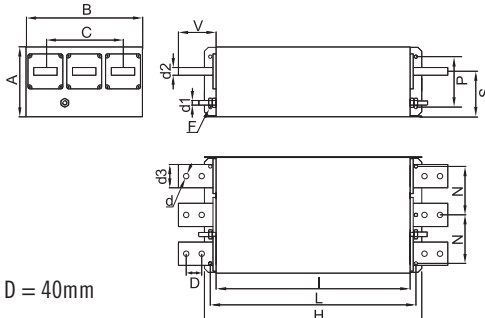
CASE 6



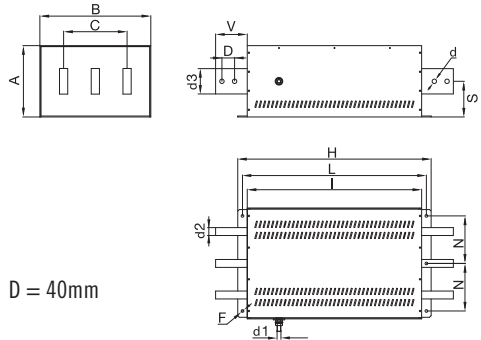
CASE 7/8/9



CASE 10/11



CASE 12



Vertical bus-bar available upon request