

**Modlink MSDD front panel interface frame modul single grey, closure 3 mm double bit**

Mounting frame plastic PBT black

Lid plastic PBT grey

Closure: 3 mm double bit

**Image**

Vicarious picture

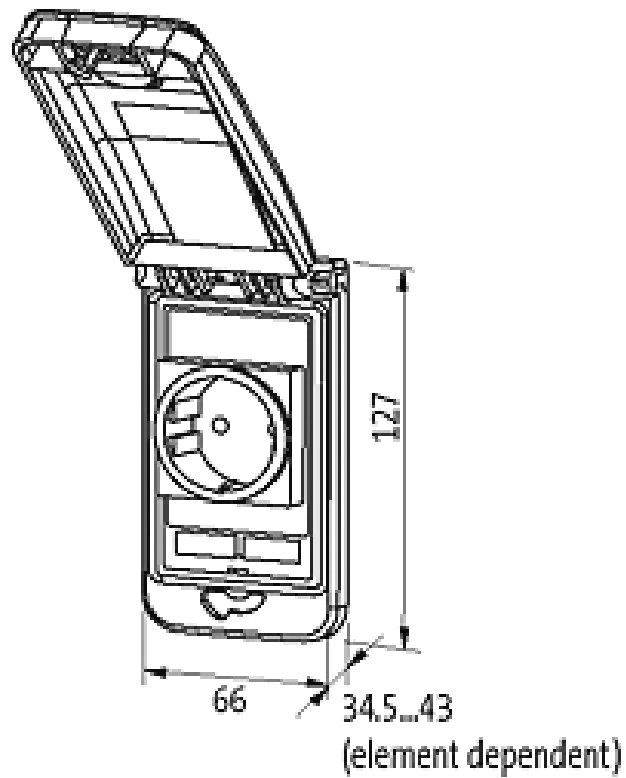
**General data**

Protection	IP65
Temperature range	-30...+70 °C (storage temperature -30...+80 °C)
Housing	Mounting frame plastic PBT black, lid plastic PBT grey
suitable for mounting with wall thickness	1...5 mm

**Commercial data**

Net weight	96
Weight unit	gram
Basic unit	pc.
Customs tariff number	85389099
Unit (piece)	1
Minimum order quantity (piece)	1

## Dimension drawing



## Control cabinet cut-out

