

Modlink MSDD front panel interface frame modul single metallic, closure 3 mm double bit

Mounting frame plastic PBT black

Lid plastic PBT grey

Closure: 3 mm double bit

Image

Vicarious picture

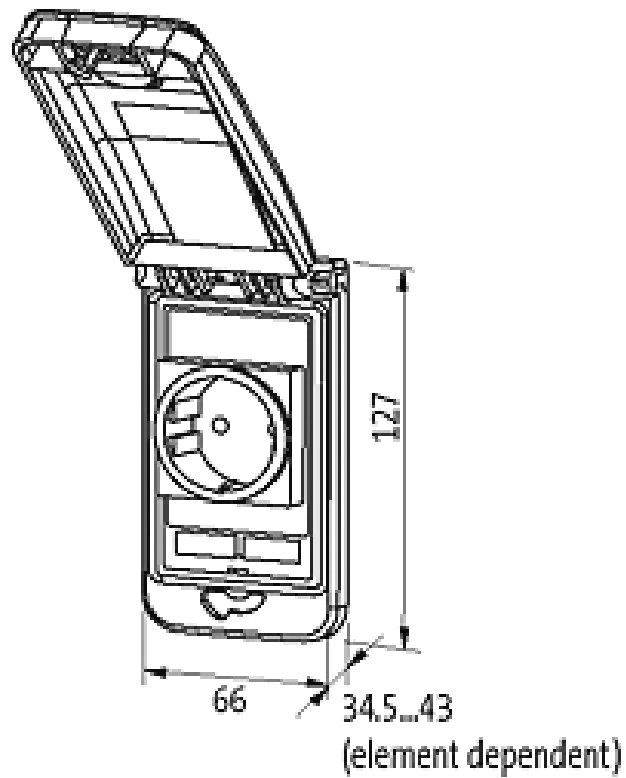
General data

Protection	IP65
Temperature range	-30...+70 °C (storage temperature -30...+80 °C)
Housing	Mounting frame plastic PBT black, cap plastic ABS metallic
suitable for mounting with wall thickness	1...5 mm

Commercial data

Net weight	87
Weight unit	gram
Basic unit	pc.
Customs tariff number	85389099
Unit (piece)	1
Minimum order quantity (piece)	1

Dimension drawing



Control cabinet cut-out

