

The ALPHA Family Datasheet

ALPHA Specifications							
Base Units	I/Os	Power Supply	Digital Inputs	Analog Inputs *	Outputs	Clock	Dimensions (WxHxD mm)
AL-6MR-A	6	100-240V AC	4 (100-240V AC)	-	2 (8A/common)	Yes	71.2 x 90 x 52
AL-10MR-A	10	100-240V AC	6 (100-240V AC)	-	4 (8A/common)	Yes	71.2 x 90 x 52
AL-10MR-D	10	24V DC	6 (24V DC)	6	4 (8A/common)	Yes	71.2 x 90 x 52
AL-20MR-A	20	100-240V AC	12 (100-240V AC)	-	8 (8A/common)	Yes	124.6 x 90 x 52
AL2-20MR-D	20	24V DC	12 (24V DC)	8	8 (8A/common)	Yes	124.6 x 90 x 52

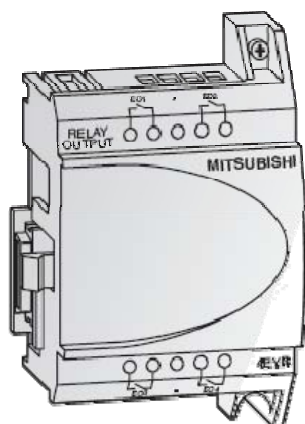
ALPHA2 Specifications							
Base Units	I/Os	Power Supply	Digital Inputs	Analog Inputs *	Outputs	Clock	Dimensions (WxHxD mm)
AL2-10MR-A	10	100-240V AC	6 (100-240V AC)	-	4 (8A/common)	Yes	71.2 x 90 x 52
AL2-10MR-D	10	24V DC	6 (24V DC)	6	4 (8A/common)	Yes	71.2 x 90 x 52
AL2-14MR-A	14 expandable to 18	100-240V AC	8 (100-240V AC)	-	6 (8A/common)	Yes	124.6 x 90 x 52
AL2-14MR-D	14 expandable to 18	24V DC	8 (24V DC)	8	6 (8A/common)	Yes	124.6 x 90 x 52
AL2-24MR-A	24 expandable to 28	100-240V AC	15 (100-240V AC)	-	9 (4x8A/common / 5x4A/common)	Yes	124.6 x 90 x 52
AL2-24MR-D	24 expandable to 28	24V DC	15 (24V DC)	8	9 (4x8A/common / 5x4A/common)	Yes	124.6 x 90 x 52

* Digital inputs with analog capability (0-10V, 9 bits)

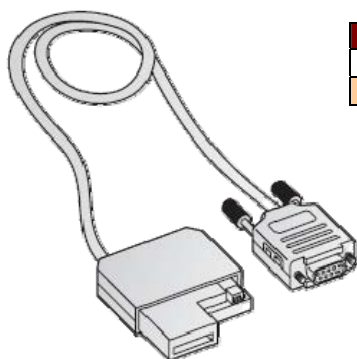
Expansion modules for ALPHA	
AL2-4EX:	4 digit inputs (24 V DC) with 2 selectable high-speed counters (1 kHz)
AL2-4EX-A2:	4 digit inputs (240 V DC)
AL2-20A:	2 Analog Output
AL2-4EYT:	4 transistor outputs (1A)
AL2-4EYR:	4 relay outputs (2A)

Extension modules for ALPHA2	
AL2-2PT-ADP:	2 PT100 inputs
AL2-2TC-ADP:	2 thermocouple (TYPE K) inputs

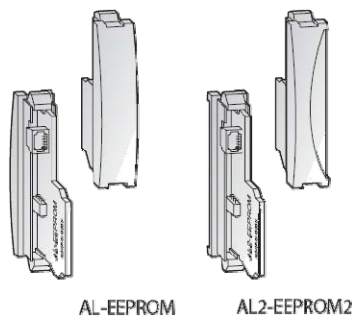
Accessories for ALPHA2	
AL-PCS/WIN-E:	Visual Logic Software V2.33 CD for Windows, in 6 languages, manuals, sample programs
AL-232CAB:	Cable for connecting ALPHA/ALPHA2 to PC, 2.5
AL2-GSM-CAB:	RS 232C for second communications port
AL2-EEPROM-:	Memory cassette for 64 FBs
AL2-EEPROM-2:	Memory cassette for 200 FBs
AL2-ASI-BD:	Expansion module for ALPHA2, ASI field bus, slave



AL2-4EYR - 4 Relay Outputs								
Electrical								
Integrated Inputs/Outputs		Power Supply AC Range (-15%, +10%)		Power Supply Frequency at AC		Power Supply Voltage Fluctuations		
4		100-240V AC		50 -60 Hz		-15 to +10%		
Inputs								
Integrated Inputs		Input Voltage		Input Current		Response Time	Insulation	Input Resistance
-		-		-		-	-	-
Outputs								
Output Type	Switched voltage (max.)	Rated Current (A)	Max. Switched Load	Min. Load	Response Time	Relay Contact Lifecycles	Insulation	
Relay	250V AC, 30V DC	2A/Out	Inductive 93VA (@ 250V AC)	50mW	≤10ms	100000	Photocoupler	
Mechanical								
Weight (Kg)				Dimensions (W xH x D mm)				
0.05				53.1 x 90 x 24.5				



AL-232CAB - Interface Cable	
Application	Length (m)
Alpha or Alpha2 <-> PC	2.5

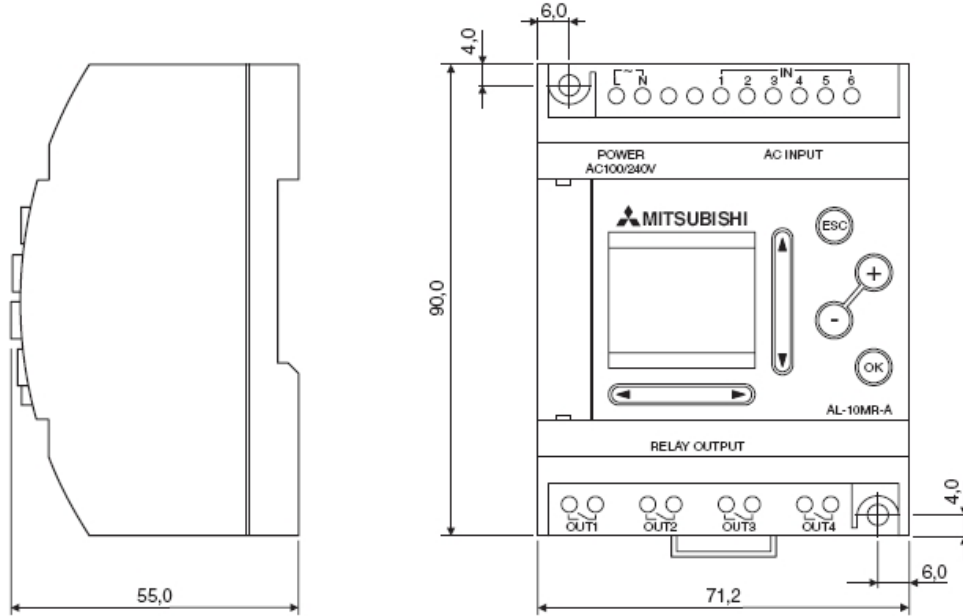
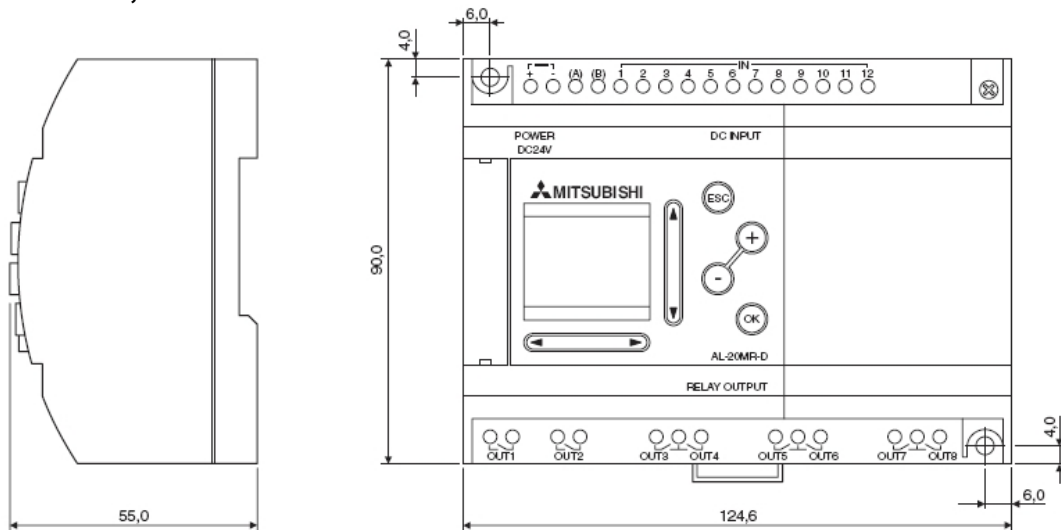


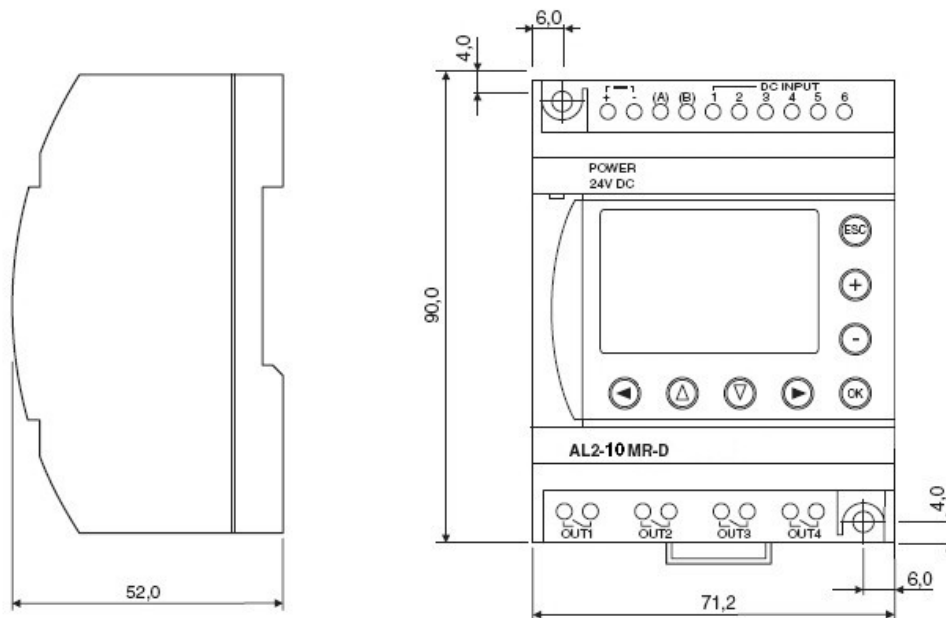
AL-EEPROM

AL2-EEPROM2

AL-EEPROM & AL-EEPROM2				
Model	Memory Type	Memory Capacity	Function Blocks	Dimensions (WxHxD mm)
Alpha	EEPROM	1500 bytes	64	10x45x25
Alpha2	EEPROM	5000bytes	200	10x45x25

AL-PCS/WIN-E		
System Specifications	Alpha Series	Alpha2 Series
Programming Method	Function Block	Function Block
Program Capacity	64 function blocks or 1500bytes (internally)	200 function blocks or 5000bytes (internally)
Program Processing	Cyclic processing of the stored program	Cyclic processing of the stored program
No. of Available Instructions	23 different function blocks	38 different function blocks
Program Storage	Integrated EEPROM & optional additional EEPROM cassette	Integrated EEPROM & optional additional EEPROM cassette
Data Storage	On supply voltage loss, information stored for up to 20 days (@ temperatures 0 to 25°C) through integrated capacitors	
Processing Time	1ms + 20µs/log instruction (complex commands 500 µs/instruction)	
Program Protection	Via program	Program and keys (3 levels)
PC Operating System	Microsoft Windows 95,98,2000,Me,NT, Workstation 4.0 and XP	
Min.PC CPU	Pentium 133MHz	
Min. PC Hard Disk Space	10MB	
Min. PC RAM	32MB	
PC Video	SVGA (800 x 600) 256 colours or more (recommended)	
RS-232 Serial Interface	1 or more ports	

Dimensions (mm)
AL6MR-A ,AL10MR-D, AL10MR-A

AL20MR-D, AL20MR-A


Dimensions (mm)
AL2-10MR-D, AL2-10MR-A

AL2-14MR-D, AL2-14MR-A, AL2-24MR-D, AL2-24MR-A
